

S-7600 / S-7601 ACOUSTIC SYSTEMS



KELONIK CINEMA SOUND

Three-way screen channel cinema sound system for medium capacity theaters

K.C.S. S-7600 and S-7601 three-way speaker systems are designed for the screen channel in medium size auditoria. Their 47 cm depth makes them especially suitable where there is a space limitation behind the projection screen.

S-7600 (passive) system has a passive crossover with cut frequency at 380 Hz between the low and mid ranges and 1.8 kHz between the mid and high ranges.

S-7601-P (bi-amplified) system has a passive crossover with cut frequency at 1.8 kHz between the mid and high ranges. Between mid and low frequencies, this system is designed to operate with an external active crossover with cut frequency at 380 Hz.



The high dynamics demanded to screen channel speaker systems by current digital soundtracks requires the use of three-way systems in order to ensure high S.P.L. levels in the auditorium while keeping distortion at inaudible levels.

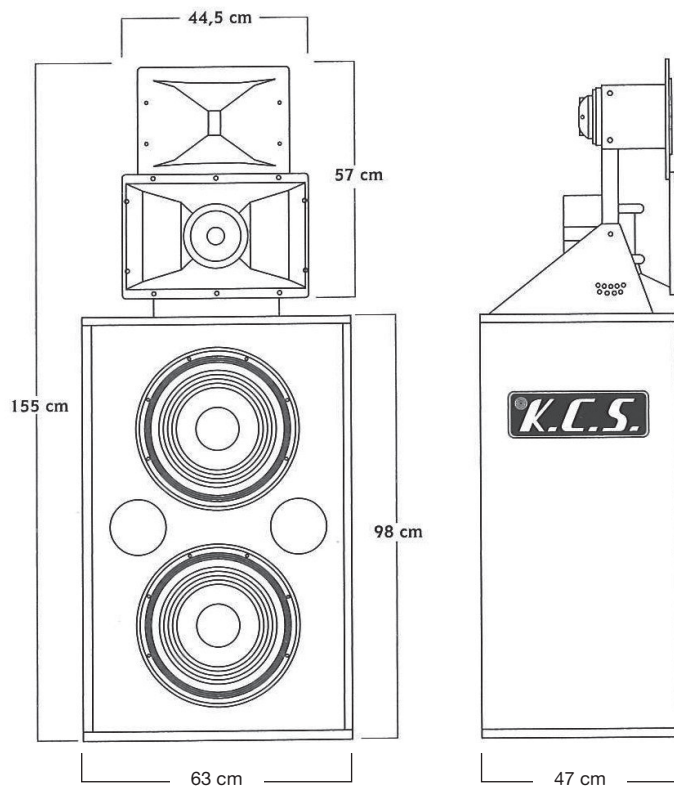
Each of the three ways in S-7600 and S-7601 speaker systems is controlled by transducers which are specifically designed to operate in the required frequency range and ensure a precise and distortion-free reproduction.

These speaker systems feature a bass cabinet with direct radiation technology, fitted with two 15" Ø speakers.

Voice spectrum in this three-way design is reproduced by one 6.5" cone speaker and one 90° x 40° constant dispersion horn, improving intelligibility of dialogues as compared to conventional two-way speaker systems.

Its high-frequency section consists of a compression driver with titanium membrane and a constant directivity horn.

S-7600 / S-7601 ACOUSTIC SYSTEMS



TECHNICAL DATA

	S-7600	S-7601
Frequency Range (-10 dB)	30 Hz – 20 kHz	
Nominal Impedance	4 Ω	LF 4 Ω MF/HF 8 Ω
POWER CAPACITY		
Input Power Rating ⁽¹⁾	800 W	LF 800 W MF/HF 140 W
Sensitivity 1W/1m	97 dB S.P.L.	LF 97 dB S.P.L. MF/HF 104 dB S.P.L.
Crossover Frequency	LF /MF 380 Hz MF/HF 1.8 kHz (passive included)	LF/MF 380 Hz (active not included) MF/HF 1.8 kHz (passive included)
Horizontal Beamwidth	90°	
Vertical Beamwidth	40°	
Dimensions (H x W x D)	155 x 63 x 47cm	
Net Weight	62 kg	62 kg

(1) Rating based on test signal of filtered random noise conforming to the International Standard IEC 268-1 (pink noise with 12 dB per octave roll-off below 40 Hz and above 5000 Hz with a peak-to-average ratio of 6 dB).

COMPONENTS

	S-7600	S-7601
Cabinet	C-215 PF-7600	C-215 PF-7601
Low Frequency Driver	2 x S-15 P	2 x S-15 P
Passive Crossover	F-7600 included	F-7601 included
Mid Frequency Driver	S-6	S-6
Mid Frequency Horn	BM-941	BM-941
High Frequency	S-701	S-701
High Frequency Horn	BC-94	BC-94
Adjustable Mount	SP-7600	SP-7600