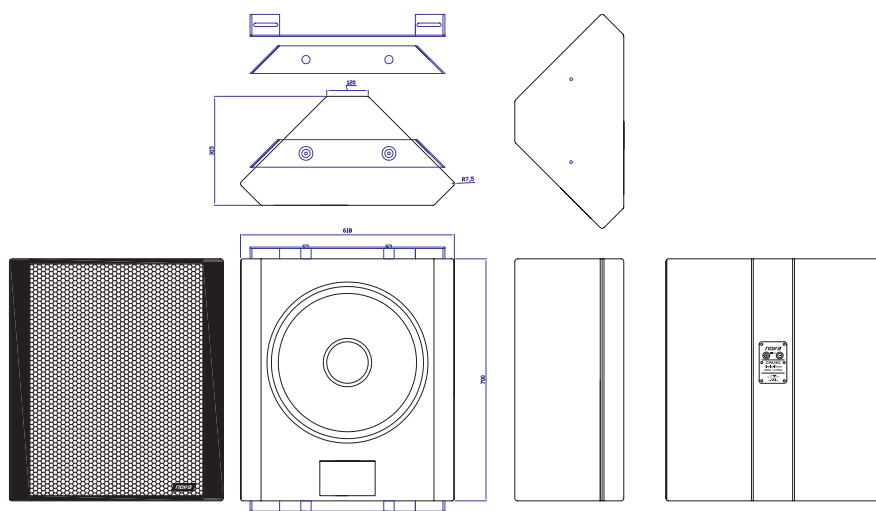


18" Triangular Multi-Channel Subwoofer

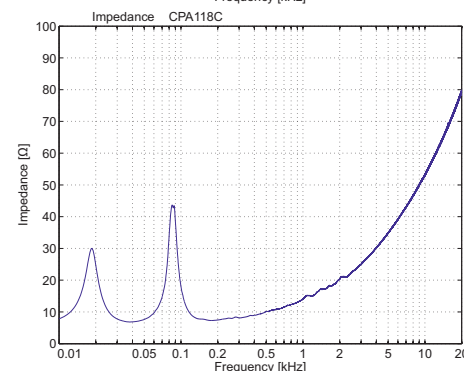
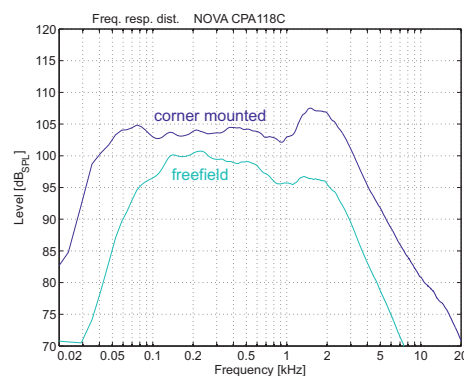


- ▶ **Triangular vented construction**
- ▶ **29 - 800 Hz frequency range**
- ▶ **High sensitivity (98 dB 1W/1m)**
- ▶ **High power capability: 800 W RMS**
- ▶ **Compact design for corner mounting**
- ▶ **Mounting-bracket for installation (included)**



The CPA 118 C is a high performance multi-channel subwoofer system for corner mounting. The subwoofer is powered with one 800 watts 18" speaker which is mounted in a triangular cabinet to ensure clear and deep bass reproduction. The system can be driven in active mode. The recommended crossover frequency is between 70 and 120 Hz. The cabinet is constructed from 15mm birch plywood. The enclosure is painted with black textured lacquer and equipped with a black front grille. The CPA 118 C is equipped with a mounting-kit for corner-mounting as standard, which ensures the safe and stable installation. Two open end sockets are mounted at the rear side of the cabinet for signal input. The power rating of the CPA 118 C is 800W at 8 Ohms.

Article number:	# 00514
System Type:	18" configuration / triangular design
Frequency Range:	Freefield: 44 Hz - 800 kHz (-3 dB) // 38 Hz - 1.000 Hz (-10 dB) Corner: 29 Hz - 800 kHz (-3 dB) // 24 Hz - 1.000 Hz (-10 dB)
Coverage Pattern:	n/a
Crossover Modes:	Active
Crossover Frequency:	70 - 120 Hz (recommended)
Power Rating (Continuous / Program / Peak):	Passive: 800 W / 1.600 W / 3.200 W Active LF: n/a (passive) Active HF: n/a (passive)
System Sensitivity (1w/1m):	98 dB SPL (134 dB max. SPL)
LF Driver:	1 x NOVA 18/1000EL, 4" voice coil woofer
LF Nominal Impedance:	8 ohms
HF Driver:	n/a
HF Nominal Impedance:	n/a
Active Tunings:	n/a (passive)
Enclosure:	15 mm, birch plywood
Suspension / Mounting:	Mounting-bracket for installation (included as standard)
Finish:	Black textured lacquer finish
Grille:	Acoustic transparent charcoal mesh cover
Dimensions (W x H x D):	618 mm x 700 mm x 315 mm
Net Weight:	29 kg
Optional Accessories:	Bracket included as standard



IEC filtered noise with 6 dB crest factor. / Calculated based on power rating and sensitivity.
CRAFT AUDIO GmbH continually engages in research related to product improvement. Materials, design and sound tuning are introduced on existing products. Any current product of CRAFT AUDIO GmbH may differ in some respect from its published description. CRAFT AUDIO GmbH will always equal or exceed to original design unless otherwise noted. Limited liability on contents. Subjects to change without prior notice.



All measurements have been generated with FOUR AUDIO - WINMF / ROBO3 frontend.
All measurements under free field conditions.

