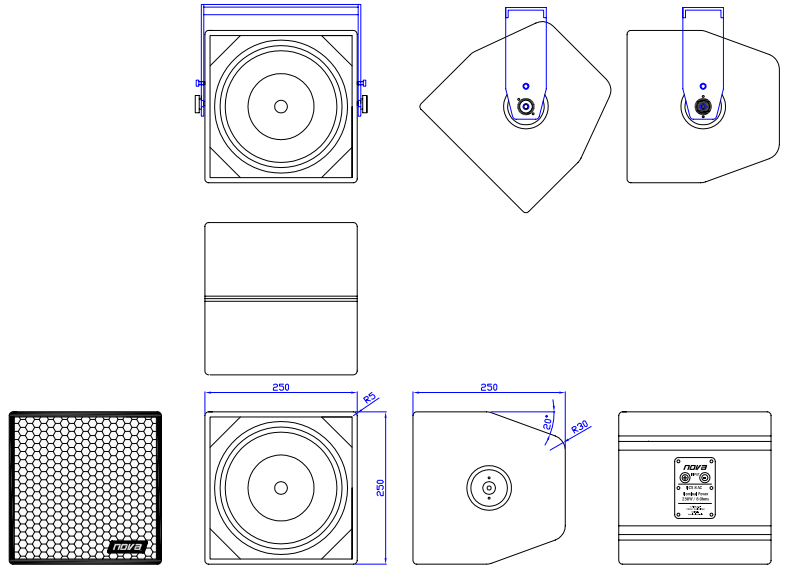


## 8" 2-Way Coaxial Multi-Channel Speaker

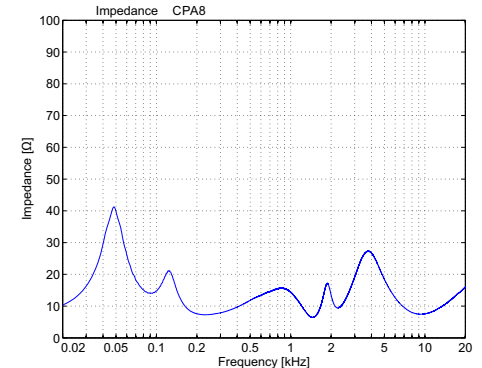
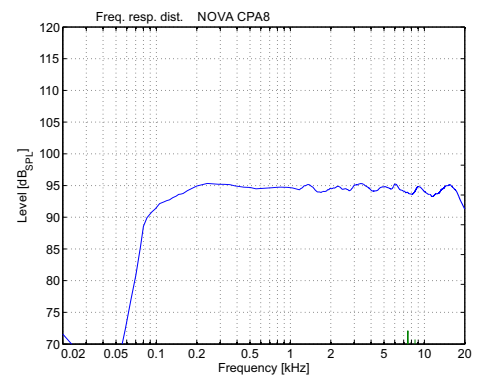


- ▶ Coaxial construction
- ▶ 55 - 20.000 Hz frequency range
- ▶ High sensitivity (96 dB 1W/1m)
- ▶ High power capability: 250 W RMS
- ▶ Compact design
- ▶ 90° x 90° nominal coverage (HxV)
- ▶ Fullrange passive operation
- ▶ Flexible U-bracket for installation (included)



The CPA 8 cinema multi-channel speaker offers high power handling, sensitivity, performance and extended dynamic range required by digital sound formats. The cabinet is equipped with a coaxial transducer, which offers a 1.35" HF voice coil compression driver for the high frequency range and a signal dispersion of 90° x 90° (H x V). The low/mid frequency range is covered by a strong 8" MF/LF driver with a 2" voice coil, which delivers smooth, extended bass response. The 250 watts continuous power rating (1.000 watts peak) provides large dynamic range required for digital soundtracks with high reliability. The enclosure is painted with black textured lacquer and equipped with a black front grille. The CPA 8 fits in any decor. The cabinet is delivered with a flexible U-bracket for installation, which is included as standard. Two open end sockets are mounted at the rear side of the cabinet for signal input.

Article number:	# 00521
System Type:	8" configuration / coaxial speaker
Frequency Range:	70 Hz - 18 kHz (-3 dB) // 55 Hz - 20 kHz (-10 dB)
Coverage Pattern:	90° x 90° nominal
Crossover Modes:	Passive
Crossover Frequency:	1.8 kHz
Power Rating (Continuous / Program / Peak):	Passive: 250 W / 500 W / 1.000 W Active LF: n/a (passive) Active HF: n/a (passive)
System Sensitivity (1w/1m):	96 dB SPL (123 dB max. SPL)
LF Driver:	coaxial transducer, 8" component with 2" voice coil
LF Nominal Impedance:	8 ohms
HF Driver:	coax. transducer, high driver component with 1.35" voice coil
HF Nominal Impedance:	8 ohms
Active Tunings:	n/a (passive)
Enclosure:	15 mm, birch plywood
Suspension / Mounting:	Flexible U-bracket for installation (included as standard)
Finish:	Black textured lacquer finish
Grille:	Acoustic transparent charcoal mesh cover
Dimensions (W x H x D):	250 mm x 250 mm x 250 mm
Net Weight:	9 kg
Optional Accessories:	n/a



IEC filtered noise with 6 dB crest factor. / Calculated based on power rating and sensitivity.  
CRAAFT AUDIO GmbH continually engages in research related to product improvement. Materials, design and sound tuning are introduced on existing products. Any current product of CRAAFT AUDIO GmbH may differ in some respect from its published description. CRAAFT AUDIO GmbH will always equal or exceed to original design unless otherwise noted. Limited liability on contents. Subjects to change without prior notice.



All measurements have been generated with FOUR AUDIO - WINMF / ROBO3 frontend.  
All measurements under free field conditions.

