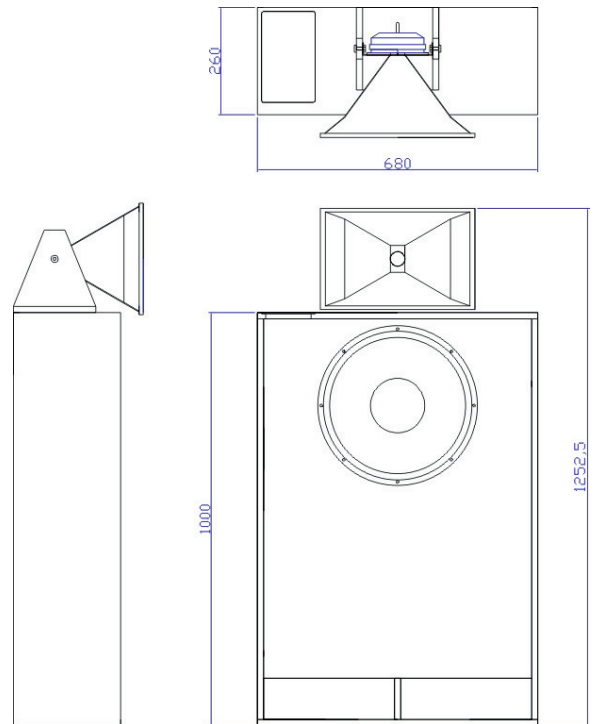


15" 2-Way Front-System

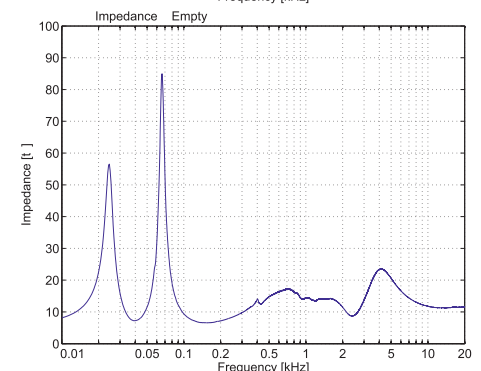
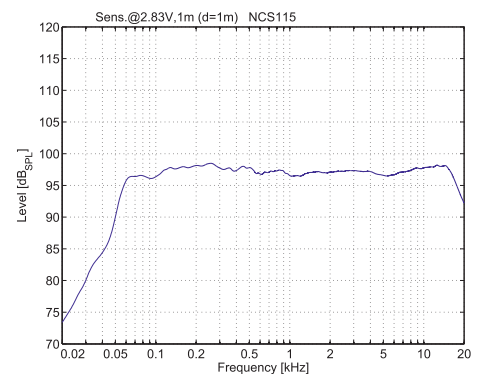


- ▶ 600 W / 1.200 W power handling
- ▶ 90° x 60° dispersion
- ▶ Adjustable horn
- ▶ TML cabinet design
- ▶ Active / passive
- ▶ Optional high power crossover



The NCS 115 is a two-way high performance screen channel loudspeaker system. The cabinet is equipped with a 1" HF driver (1.75" voice coil), which is mounted onto an external and adjustable fibreglass horn with a nominal coverage is 90° x 60° (H x V). The MF/LF frequency range is covered by a 600 Watts 15" speaker which is mounted in a perfect tuned TML design to ensure clear and deep bass reproduction. The system can be driven in active or passive mode. Therefore a passive crossover is available. The cabinet is constructed by 15mm wood, covered with Black NOVA PolyCoat© finish and equipped with several M6 and M8 screws which ensures the safe and stable connection to the optional accessories. Four open end sockets are mounted on the top of the cabinet for signal input and signal output to the high driver. The power rating of the NCS 115 is 600W at 8 Ohms.

Article number:	# 00606 active version / # 00606P passive version
System Type:	15" configuration
Frequency Range:	42 Hz - 20 kHz
Coverage Pattern:	90° x 60° nominal
Crossover Modes:	Passive / Active (both available)
Crossover Frequency:	1.25 kHz
Power Rating (Continuous / Program / Peak):	Passive: 600 W / 1.200 W / 2.400 W Active LF: 600 W / 1.200 W / 2.400 W Active HF: 70 W / 140 W / 280 W
System Sensitivity (1w/1m):	99 dB SPL
LF Driver:	1 x NOVA 15/600C
LF Nominal Impedance:	8 ohms
HF Driver:	1 x NOVA C1000, 1.75 in. voice coil compression driver
HF Nominal Impedance:	8 ohms
Active Tunings:	1.25 kHz
Enclosure:	NOVA ProWo© MDF, 16 mm
Suspension / Mounting:	HF horn and adapter included
Finish:	Black NOVA PolyCoat© finish
Grille:	n/a
Dimensions (W x H x D):	680 mm x 1252.5 mm x 260 mm
Net Weight:	Passive version: 42 kg / active version: 41 kg
Optional Accessories:	n/a



IEC filtered noise with 6 dB crest factor. / Calculated based on power rating and sensitivity.
CRAAFT AUDIO GmbH continually engages in research related to product improvement. Materials, design and sound tuning are introduced on existing products. Any current product of CRAAFT AUDIO GmbH may differ in some respect from its published description. CRAAFT AUDIO GmbH will always equal or exceed to original design unless otherwise noted. Limited liability on contents. Subjects to change without prior notice.



All measurements have been generated with FOUR AUDIO - WINMF / ROBO3 frontend.
All measurements under free field conditions.

